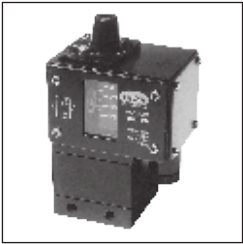
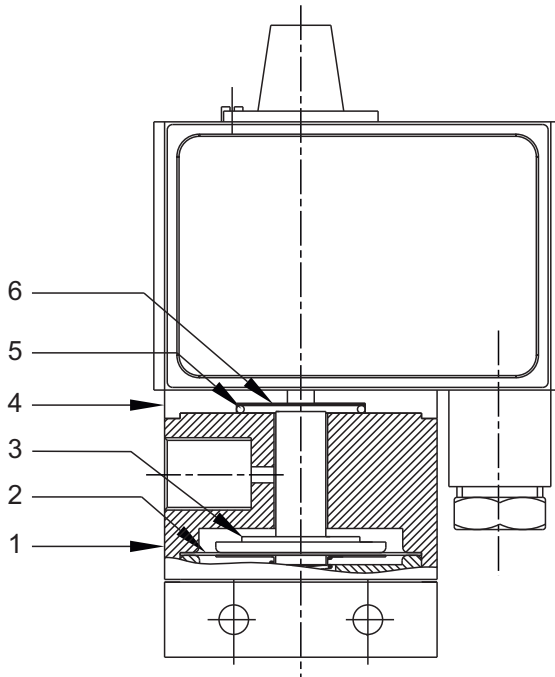


VS1 VACUUM SWITCHES



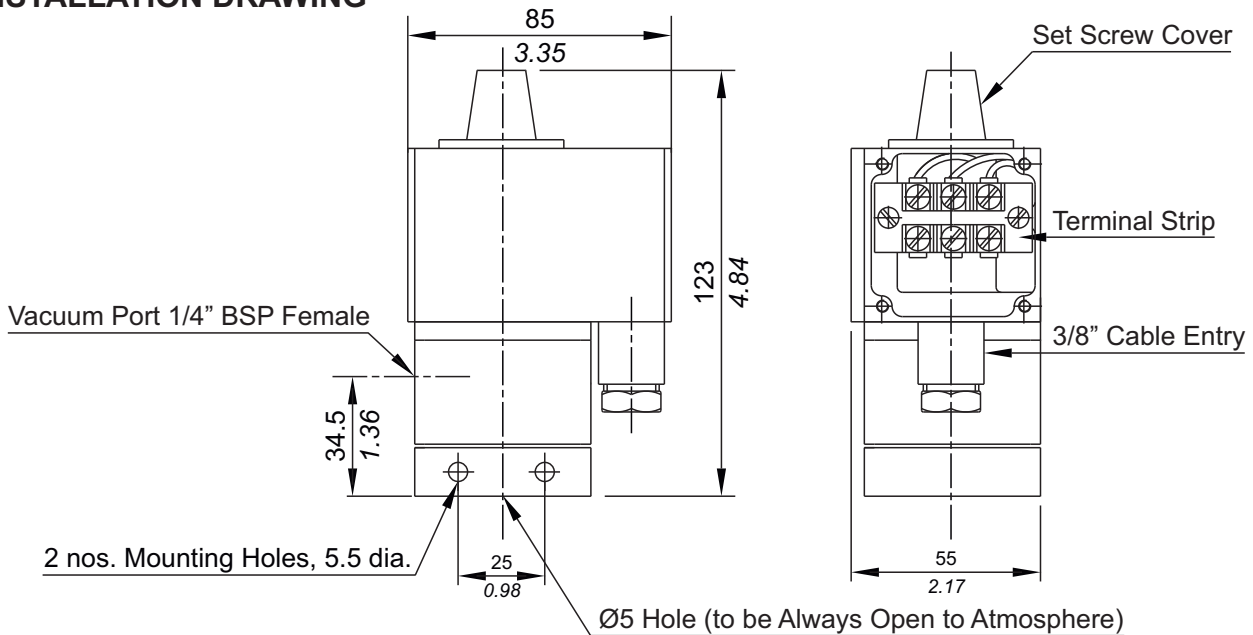
PRESSURE CAPSULE DETAILS



- | No. | Description |
|-----|--|
| 1. | <i>Disc (Aluminium)</i> |
| 2. | <i>Diaphragm (PTFE[®])</i> |
| 3. | <i>Plunger (SS 316)</i> |
| 4. | Junction Plate |
| 5. | <i>Sealing 'O' ring (PTFE[®])</i> |
| 6. | <i>Sealing diaphragms (PTFE[®])</i> |

Note : *wetted parts* are mentioned in italics.

INSTALLATION DRAWING



APPROX. DIMENSIONS IN $\frac{\text{mm}}{\text{inches}}$

VACUUM SWITCHES VS1

GENERAL INFORMATION :

VS1 series vacuum switches are housed in pressure die cast aluminium powder coated enclosure and are recommended for panel mounting or outdoor service. The repeat accuracy is better than $\pm 2\%$ FSR. A 3/8" cable entry is provided for cables and a terminal strip suitable for wired ends is provided inside the enclosure. Pressure port is 1/4" BSPF standard.

FEATURES :

- Compact
- Separate chamber for working parts
- Electrical rating : 5A, 250VAC; 0.2A, 250 VDC
- Pressure port : 1/4" BSPF

Some Applications : Vacuum Systems requiring low on-off differential.

RANGE SELECTION TABLE

Range code	Range vacuum (falling) mm Hg ("Hg)	*Approximate Maximum Differential (Fixed) mm Hg ("Hg)	Maximum Working Pressure bar (psi)
V00	† 760 - 100 (29.92 - 3.94)	20 (0.78)	12 (174.05)

* Minimum differential increases with setpoint (Graphs available on request)

† Typical values achieved at sea level, total vacuum that can be achieved varies mainly with altitude.

HOW TO ORDER VS1 SERIES VACUUM SWITCHES

Group 1	Group 2	Group 3	Group 4	Group 5	Group 6
Model	Range Code	Range Scale	Disc	Diaphragm	Enclosure
VS1 - Fixed differential Vacuum Switch	-	-	-	-	-

Eg. A fixed differential vacuum switch, high range from 760 mm Hg vac. To 100 mm Hg vac. shall be specified by

Group 1	Group 2	Group 3	Group 4	Group 5	Group 6
VS1	-	-	-	-	-

Please specify full model number to avoid ambiguity. If only the first two groups are specified while ordering, uncalibrated switches with standard wetted parts and enclosures will be supplied.